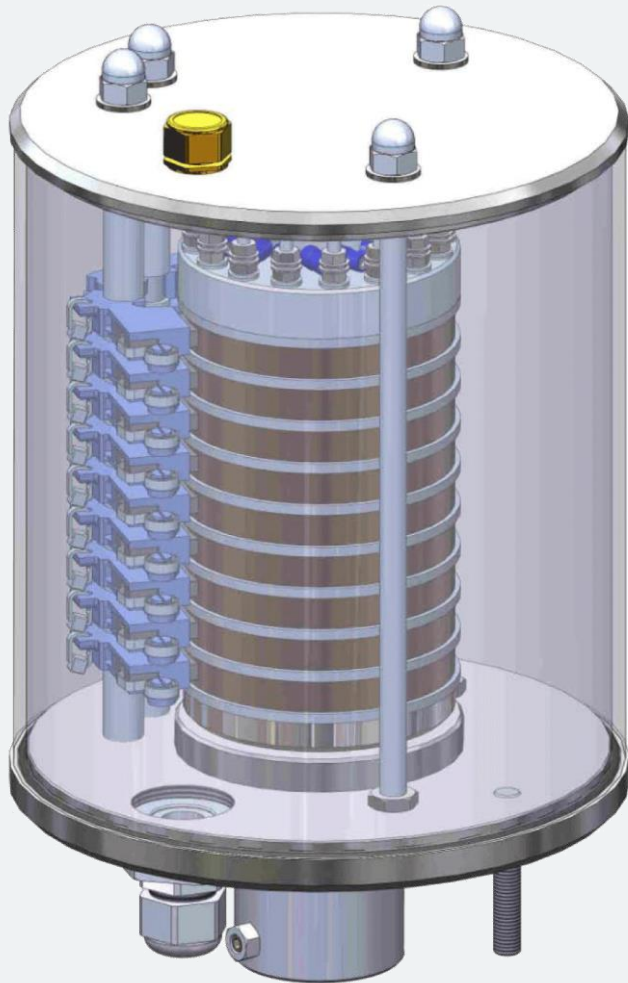


ZOOM

SLIP RING UNITS C3046 SERIES

MODULAR ELECTRICAL SLIP RING UNIT



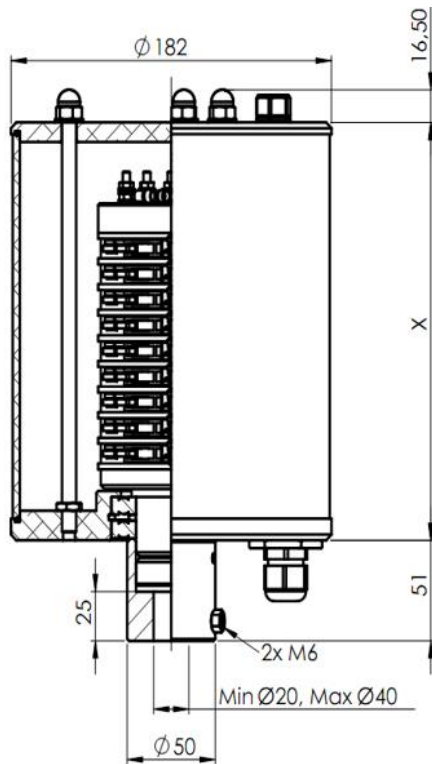
C3046 04 to C3046 16

- Vertically-mounted
- Corrosion-resistant polymer brush-holders
- Aluminium flange
- PMMA transparent cover
- Fitted with bronze rings Ø 80 mm
- Mounted with two sealed bearings
- Hub fastening, diameter 20 to 40 mm (stainless steel)
- Connections:
 - on slip ring assemblies -> M4 bolt + nut
 - on brush-holders -> 6.35 ring tongue male terminals (fast on)
- Fitted with:
 - ISO 32 reducers and ISO 20 cable gland (models up to 12 tracks)
 - or ISO 32 cable gland (for more than 12 tracks)

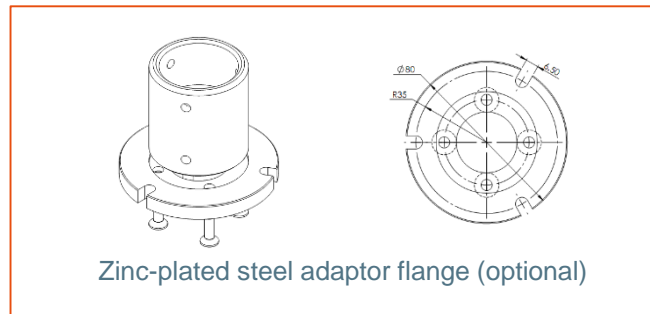
**SOLID AND RELIABLE
SIGNAL AND POWER
TRANSMISSION**

© MERSEN COPYRIGHT 2017

TECHNICAL INFORMATION



Number of tracks:	16 max
Ampacity:	25 A
Rated voltage:	400 V AC
Insulation voltage:	2500 V
Insulation class:	Class 1
Protection rating:	IP54
Operating temperature:	-25/+60°C
Relative humidity:	up to 95 %
Max rotation speed:	100 rpm



Model	Number of rings	Height X (in mm)	Brush-holders		Carbon brushes		Cable gland
			Quantity	P/N	Quantity (pairs)	P/N	Type
C3046 04	4	172	4	AMP335001	4	82999	ISO 20
C3046 05	5	172	5	AMP335001	5	82999	ISO 20
C3046 06	6	172	6	AMP335001	6	82999	ISO 20
C3046 07	7	212	7	AMP335001	7	82999	ISO 20
C3046 08	8	212	8	AMP335001	8	82999	ISO 20
C3046 09	9	212	9	AMP335001	9	82999	ISO 20
C3046 10	10	247	10	AMP335001	10	82999	ISO 20
C3046 11	11	247	11	AMP335001	11	82999	ISO 20
C3046 12	12	247	12	AMP335001	12	82999	ISO 20
C3046 13	13	302	13	AMP335001	13	82999	ISO 32
C3046 14	14	302	14	AMP335001	14	82999	ISO 32
C3046 15	15	302	15	AMP335001	15	82999	ISO 32
C3046 16	16	302	16	AMP335001	16	82999	ISO 32

© MERSEN COPYRIGHT 2017

Contact: info.ptt@mersen.com